

# REDI DOOR® AS-BUILT MEASUREMENT GUIDE

Thank you for your recent Redi Door® purchase. Ordering the correct size enclosure is the first step to a proper installation. The attached drawings are designed to help you provide us with this information. Please choose the drawing that most closely illustrates your shower: rectangle or square shower, and single curb or barrier free entrance. Please double-check all measurements as doors cannot be returned due to improper sizing.

## *Measuring Checklist:*

1. Measuring must be done AFTER the shower is built and the walls are grouted and tiled, or another finished wall material is in place.
2. All measurements should be taken in *inches* to the *closest 1/16 inch*.
3. Begin by taping the centerline of the entire shower with painter's tape, and then use a pencil to draw the actual centerlines on the tape.
4. Measure each centerline as demonstrated by red arrowed lines in the images provided below. Remember to allow for the body of the measuring tape. **PLEASE TAKE EACH MEASUREMENT AT LEAST TWICE TO ENSURE ACCURACY.**
5. Directions (left, right) are defined from the point of view outside the shower looking in.
6. Check all surfaces for level and/or out-of-plumb. For any surfaces that are not level or plumb, please describe direction as well as measurement. (See image on page 2 for examples.)
  - a. For plumb, describe whether wall leans in or out *from bottom to top*.  
i.e., wall leans OUT 1/2 inch
  - b. For level, describe whether the surface is lower on the right or left side.  
i.e., curb low to LEFT 3/16 inch
7. If you have decorative tiles that are textured and stand out from the shower wall surfaces, please note location within the shower and the decorative tile height and depth. Some shower doors cannot be installed over this type of tile work.
8. Some value doors may require the purchase of tapers or fillers to align properly. If, after reviewing your as-built measurements, we find this to be the case, we will contact you directly with details.

## *Measuring Tools:*

- Level (minimum 2')
- Painter's tape
- Pencil(s)
- Tape measure
- Protractor (only needed for configurations that include a return panel)

## *Professional Installation Services:*

If you have purchased shower enclosure installation service, your installer will complete all measurements for you. To add the installation services to an existing order, please contact us at 1-800-648-9212.

**UPON COMPLETION, PLEASE SCAN OR PHOTOGRAPH THE MEASURING GUIDE, AND RETURN TO:**

[redidoor@tileredi.com](mailto:redidoor@tileredi.com)

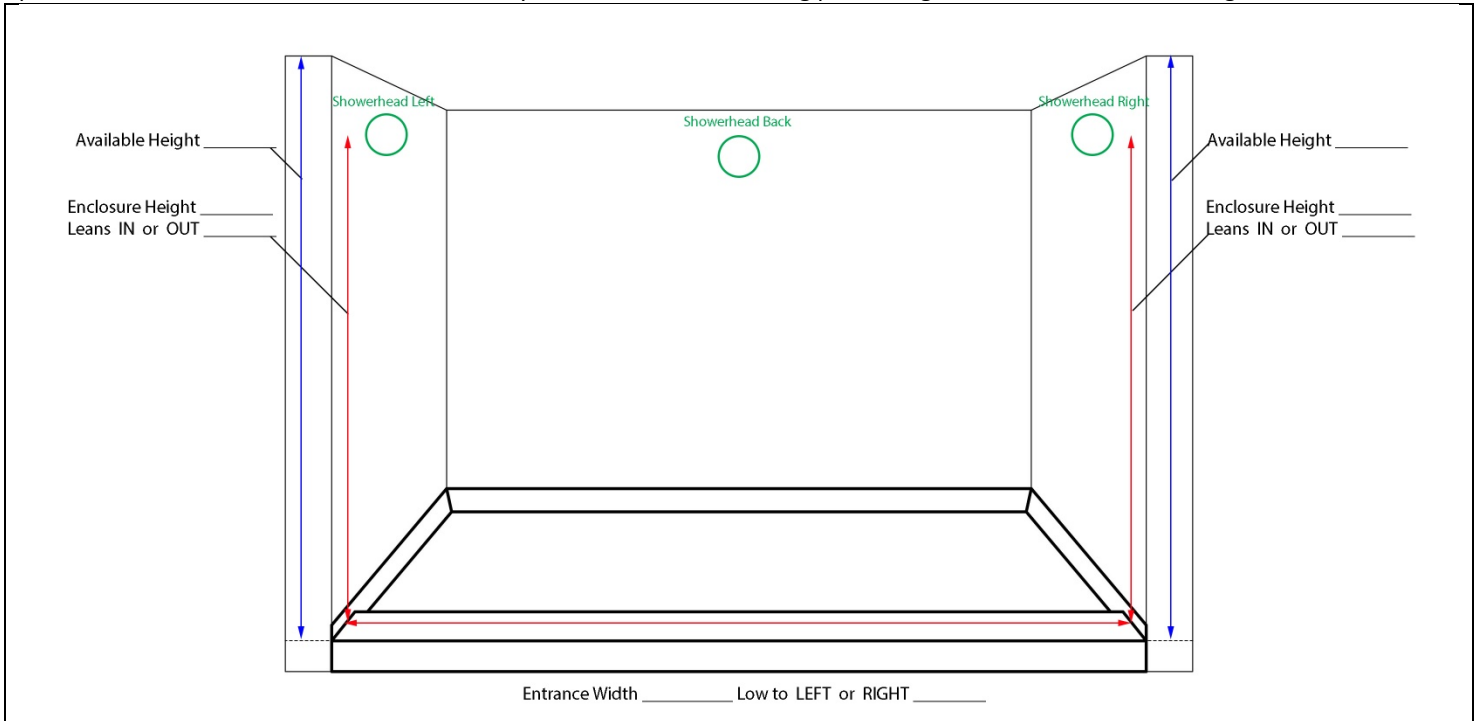
We will email the final specification for your enclosure within 2 business days after receipt of your completed As-Built Measuring Guide.

Please complete customer and order information in this section.

<b>Customer Name:</b>	<b>9-Digit Order Number:</b>
<b>Customer Email:</b>	<b>Customer Phone:</b>

### RECTANGLE SHOWER WITH SINGLE CURB

Please write measurements (to the nearest 1/16 inch) on the lines provided, circle your shower head location, and provide us with information on any decorative textured tiles, non-standard angle(s), and out-of-plumb and/or out-of-level conditions. For out-of-plumb and out-of-level please be sure to circle only one appropriate direction (i.e., low to LEFT or RIGHT – please circle only one choice, that side which is lower); for each surface that is in plumb and/or in-level please write in N/A. Finally, on the shower image please draw a sketch of the shower enclosure you have chosen: including pieces of glass, door location, and hinge side.



**Textured Decorative Tile Information:**

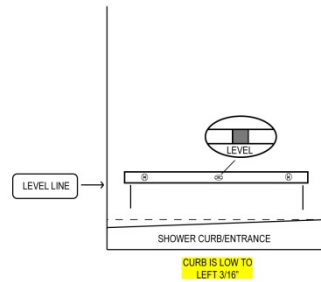
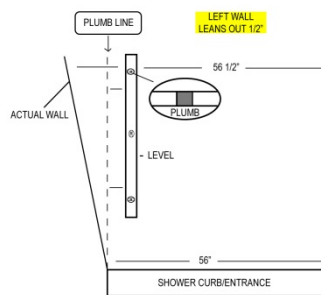
Depth (how much they stick out from the wall) \_\_\_\_\_ inch(es)  
 Height (the individual tile size) \_\_\_\_\_ inch(es)  
 Tile Location (height on shower wall):  
 Height from top of entrance at left wall to bottom of textured tiles \_\_\_\_\_ inch(es)  
 Height from top of entrance at right wall to bottom of textured tiles \_\_\_\_\_ inch(es)

Please circle the options ordered

- Hardware Finish:  
 Polished Chrome  
 Brushed Nickel  
 Oil-Rubbed Bronze  
 Brushed Stainless (2600 Series Only)

- Glass:  
 Clear  
 Obscure

**LEVEL & PLUMB EXAMPLES**



Please complete customer and order information in this section.

<b>Customer Name:</b>	<b>9-Digit Order Number:</b>
<b>Customer Email:</b>	<b>Customer Phone:</b>

### RECTANGLE SHOWER WITH BARRIER FREE ENTRANCE

Please write measurements (to the nearest 1/16 inch) on the lines provided, circle your shower head location, and provide us with information on any decorative textured tiles, non-standard angle(s), and out-of-plumb and/or out-of-level conditions. For out-of-plumb and out-of-level please be sure to circle only one appropriate direction (i.e., low to LEFT or RIGHT – please circle only one choice, that side which is lower); for each surface that is in plumb and/or in-level please write in N/A. Finally, on the shower image please draw a sketch of the shower enclosure you have chosen: including pieces of glass, door location, and hinge side.

**Textured Decorative Tile Information:**

Depth (how much they stick out from the wall) \_\_\_\_\_ inch(es)  
 Height (the individual tile size) \_\_\_\_\_ inch(es)  
 Tile Location (height on shower wall):  
 Height from top of entrance at left wall to bottom of textured tiles \_\_\_\_\_ inch(es)  
 Height from top of entrance at right wall to bottom of textured tiles \_\_\_\_\_ inch(es)

Please circle the options ordered

Hardware Finish:  
 Polished Chrome  
 Brushed Nickel  
 Oil-Rubbed Bronze  
 Brushed Stainless (2600 Series Only)

Glass:  
 Clear  
 Obscure

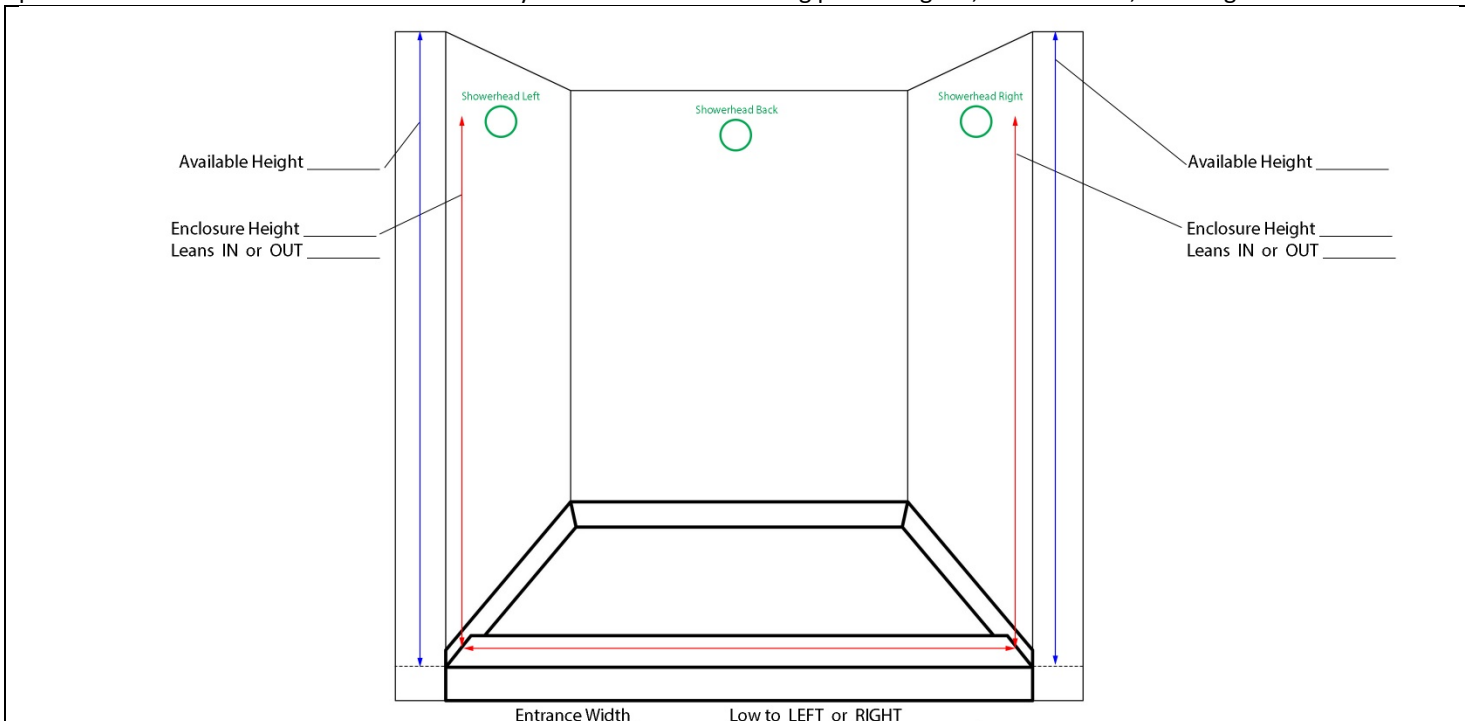
#### LEVEL & PLUMB EXAMPLES

Please complete customer and order information in this section.

<b>Customer Name:</b>	<b>9-Digit Order Number:</b>
<b>Customer Email:</b>	<b>Customer Phone:</b>

### SQUARE SHOWER WITH SINGLE CURB

Please write measurements (to the nearest 1/16 inch) on the lines provided, circle your shower head location, and provide us with information on any decorative textured tiles, non-standard angle(s), and out-of-plumb and/or out-of-level conditions. For out-of-plumb and out-of-level please be sure to circle only one appropriate direction (i.e., low to LEFT or RIGHT – please circle only one choice, that side which is lower); for each surface that is in plumb and/or in-level please write in N/A. Finally, on the shower image please draw a sketch of the shower enclosure you have chosen: including pieces of glass, door location, and hinge side.



**Textured Decorative Tile Information:**

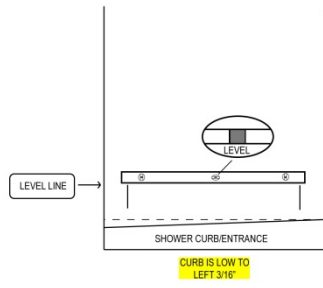
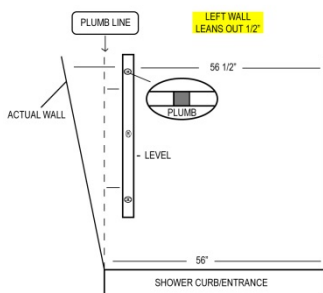
Depth (how much they stick out from the wall) \_\_\_\_\_ inch(es)  
 Height (the individual tile size) \_\_\_\_\_ inch(es)  
 Tile Location (height on shower wall):  
 Height from top of entrance at left wall to bottom of textured tiles \_\_\_\_\_ inch(es)  
 Height from top of entrance at right wall to bottom of textured tiles \_\_\_\_\_ inch(es)

Please circle the options ordered

- Hardware Finish:  
 Polished Chrome  
 Brushed Nickel  
 Oil-Rubbed Bronze  
 Brushed Stainless (2600 Series Only)

- Glass:  
 Clear  
 Obscure

**LEVEL & PLUMB EXAMPLES**

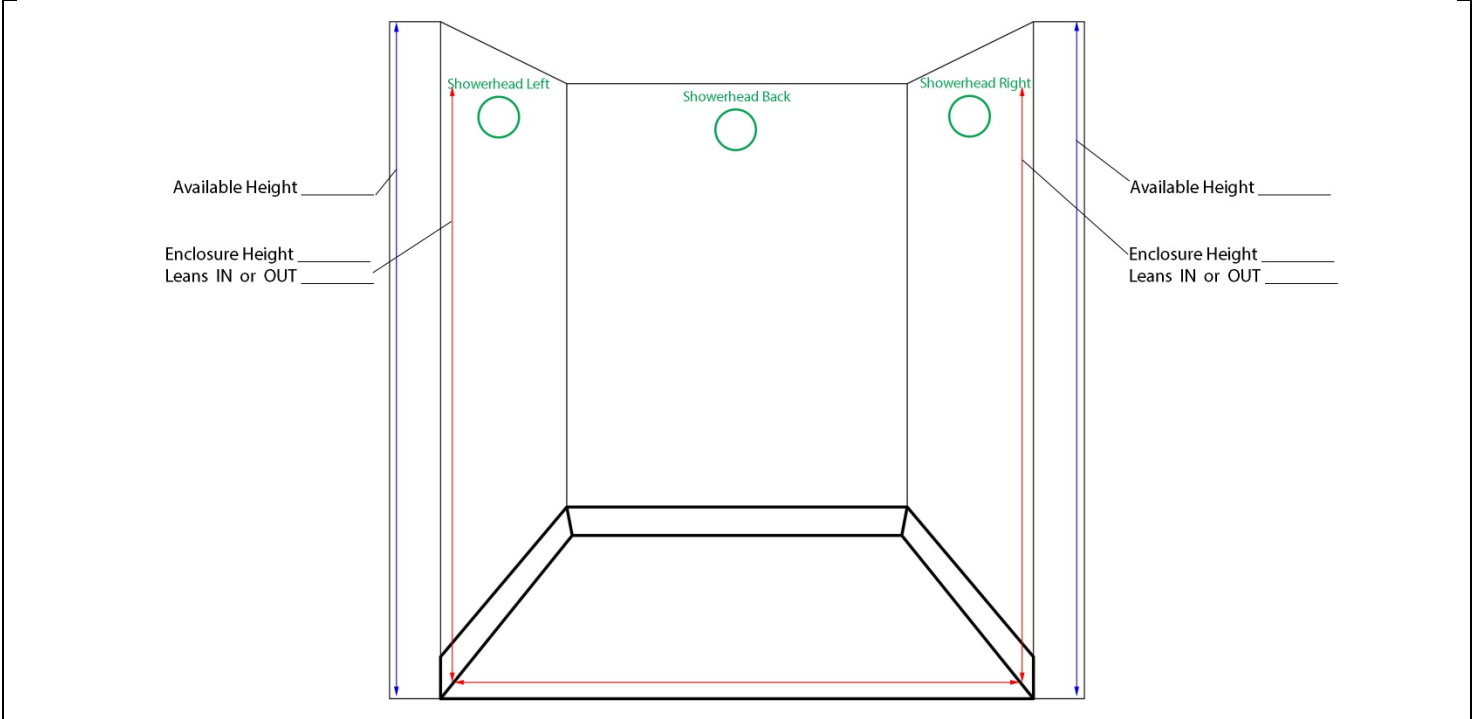


Please complete customer and order information in this section.

<b>Customer Name:</b>	<b>9-Digit Order Number:</b>
<b>Customer Email:</b>	<b>Customer Phone:</b>

### SQUARE SHOWER WITH BARRIER FREE ENTRANCE

Please write measurements (to the nearest 1/16 inch) on the lines provided, circle your shower head location, and provide us with information on any decorative textured tiles, non-standard angle(s), and out-of-plumb and/or out-of-level conditions. For out-of-plumb and out-of-level please be sure to circle only one appropriate direction (i.e., low to LEFT or RIGHT – please circle only one choice, that side which is lower); for each surface that is in plumb and/or in-level please write in N/A. Finally, on the shower image please draw a sketch of the shower enclosure you have chosen: including pieces of glass, door location, and hinge side.



Textured Decorative Tile Information:

Depth (how much they stick out from the wall) \_\_\_\_\_ inch(es)

Height (the individual tile size) \_\_\_\_\_ inch(es)

Tile Location (height on shower wall):

Height from top of entrance at left wall to bottom of textured tiles \_\_\_\_\_ inch(es)

Height from top of entrance at right wall to bottom of textured tiles \_\_\_\_\_ inch(es)

Please circle the options ordered

Hardware Finish:

Polished Chrome

Brushed Nickel

Oil-Rubbed Bronze

Brushed Stainless (2600 Series Only)

Glass:

Clear

Obscure

#### LEVEL & PLUMB EXAMPLES

